

FIG. 1 (RELATED ART)

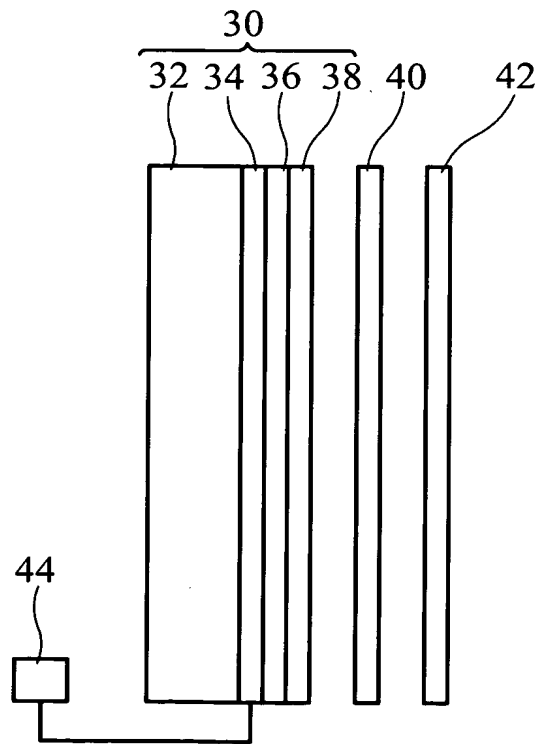


FIG. 2

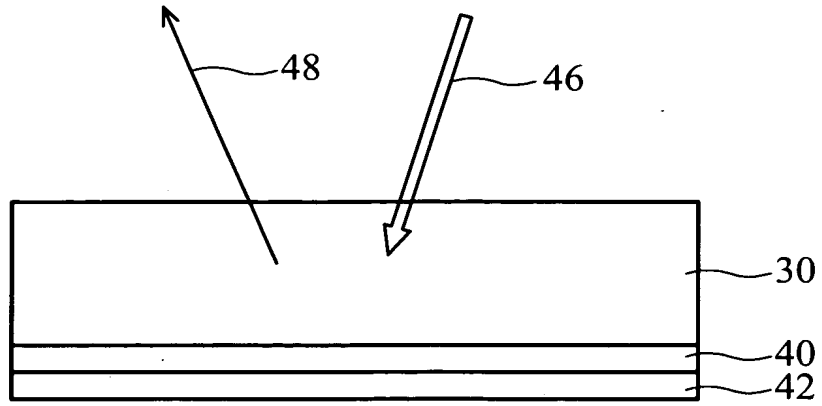


FIG. 3

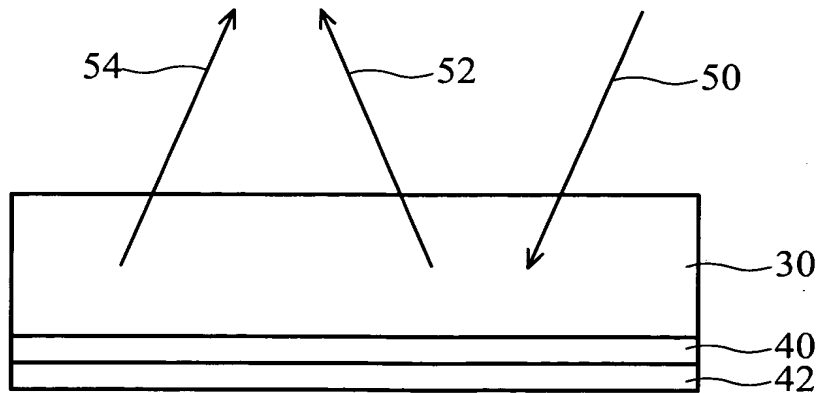


FIG. 4